

POWEREX[®] Product Change Notification

Rectifier & Thyristor Stud Devices

: 2012-003 Rev.: 00

Date: 2012 / OCT / 2

Author: Ron Yurko



Subject of Change:
R610 and R611 Glass-to-Metal Seal No Longer Available

Description of Change:

The R600 / R601 Ceramic seal will be supplied in lieu of the R610 / R611 glass to metal seal for R6 stud diodes that were normally supplied for devices that were less than 1200V.

The respective R610 and R611 part numbers will be made obsolete. Customers are suggested to convert to the corresponding R600 or R601 part number which will require an additional change to the lead code (the 11th and 12th characters of the part number). JEDEC style part numbers (i.e. part numbers starting with 1N....) will now be supplied with a ceramic seal.



Important!: Because the R600/R601 devices have a higher seal than the R610/R611 devices, the lead code ((the 11th and 12th characters of the part number) will also need to change in order to maintain a similar distance from the seating plane of the diode to the center of the hole in the power lead terminal lug. Refer to the supporting documentation for a list of suggested replacements or consult Powerex for the part number of the device with the ceramic seal. *Do not make the mistake of only changing the first four characters!*

The ceramic seal of the R600 and R601 diodes has different dimensions than the glass-to-metal seal of the R610 and R611 diodes. This may be a concern as to how the device may physically fit in particular applications. Please refer to the outline drawings shown on the R600/R601 data sheet for reference.

There are no differences in the electrical characteristics for the new devices with the ceramic seal.

Reason for Change:

This change consolidates the Powerex R6 stud product line and is intended to improve product availability.

Identification of Change:

Powerex discrete devices will be marked with a serial #, date code and manufacturing country of origin on the ceramic.

The ceramic seal is easily identified by the white ceramic of the device construction on future shipments.



Time Schedule for Change:

Samples Begin: 09/2012

Delivery Begins: Q4 2012

Supporting Documentation:

Attachments: Recommended Replacement Table, Package Outline Drawings

Quality Mgmt. system:

Product will be validated and screened via the Youngwood, PA ISO 9001 / AS9100 quality system.

Customer Approval for: PCN # 2012-003

(Please check the appropriate box.)

We agree with this change and its schedule.

We have objection(s) as noted here:

We request additional information:

Customer:

Signature:

POWEREX® Product Change Notification

Devices Affected by Product Change Notification:

Original	Package	Voltage	Current	Recommended Replacement	Voltage	Current
R6100225XXYZ	RECTIFIER STUD MOUNT FORWARD DO-9	200	250	R6000225XXYA	200	250
R6100230XXYZ	RECTIFIER STUD MOUNT FORWARD DO-9	200	300	R6000230XXYA	200	300
R6100425XXYZ	RECTIFIER STUD MOUNT FORWARD DO-9	400	250	R6000425XXYA	400	250
R6100430XXYZ	RECTIFIER STUD MOUNT FORWARD DO-9	400	300	R6000430XXYA	400	300
R6100625XXYZ	RECTIFIER STUD MOUNT FORWARD DO-9	600	250	R6000625XXYA	600	250
R6100630XXYZ	RECTIFIER STUD MOUNT FORWARD DO-9	600	300	R6000630XXYA	600	300
R6100825XXYZ	RECTIFIER STUD MOUNT FORWARD DO-9	800	250	R6000825XXYA	800	250
R6100830XXYZ	RECTIFIER STUD MOUNT FORWARD DO-9	800	300	R6000830XXYA	800	300
R6101025XXYZ	RECTIFIER STUD MOUNT FORWARD DO-9	1000	250	R6001025XXYA	1000	250
R6101030XXYZ	RECTIFIER STUD MOUNT FORWARD DO-9	1000	300	R6001030XXYA	1000	300
R6110225XXYZ	RECTIFIER STUD MOUNT REVERSE DO-9	200	250	R6010225XXYA	200	250
R6110230XXYZ	RECTIFIER STUD MOUNT REVERSE DO-9	200	300	R6010230XXYA	200	300
R6110425XXYZ	RECTIFIER STUD MOUNT REVERSE DO-9	400	250	R6010425XXYA	400	250
R6110430XXYZ	RECTIFIER STUD MOUNT REVERSE DO-9	400	300	R6010430XXYA	400	300
R6110625XXYZ	RECTIFIER STUD MOUNT REVERSE DO-9	600	250	R6010625XXYA	600	250
R6110630XXYZ	RECTIFIER STUD MOUNT REVERSE DO-9	600	300	R6010630XXYA	600	300
R6110825XXYZ	RECTIFIER STUD MOUNT REVERSE DO-9	800	250	R6010825XXYA	800	250
R6110830XXYZ	RECTIFIER STUD MOUNT REVERSE DO-9	800	300	R6010830XXYA	800	300
R6111025XXYZ	RECTIFIER STUD MOUNT REVERSE DO-9	1000	250	R6011025XXYA	1000	250
R6111030XXYZ	RECTIFIER STUD MOUNT REVERSE DO-9	1000	300	R6011030XXYA	1000	300



R610/R611 General Purpose Diode

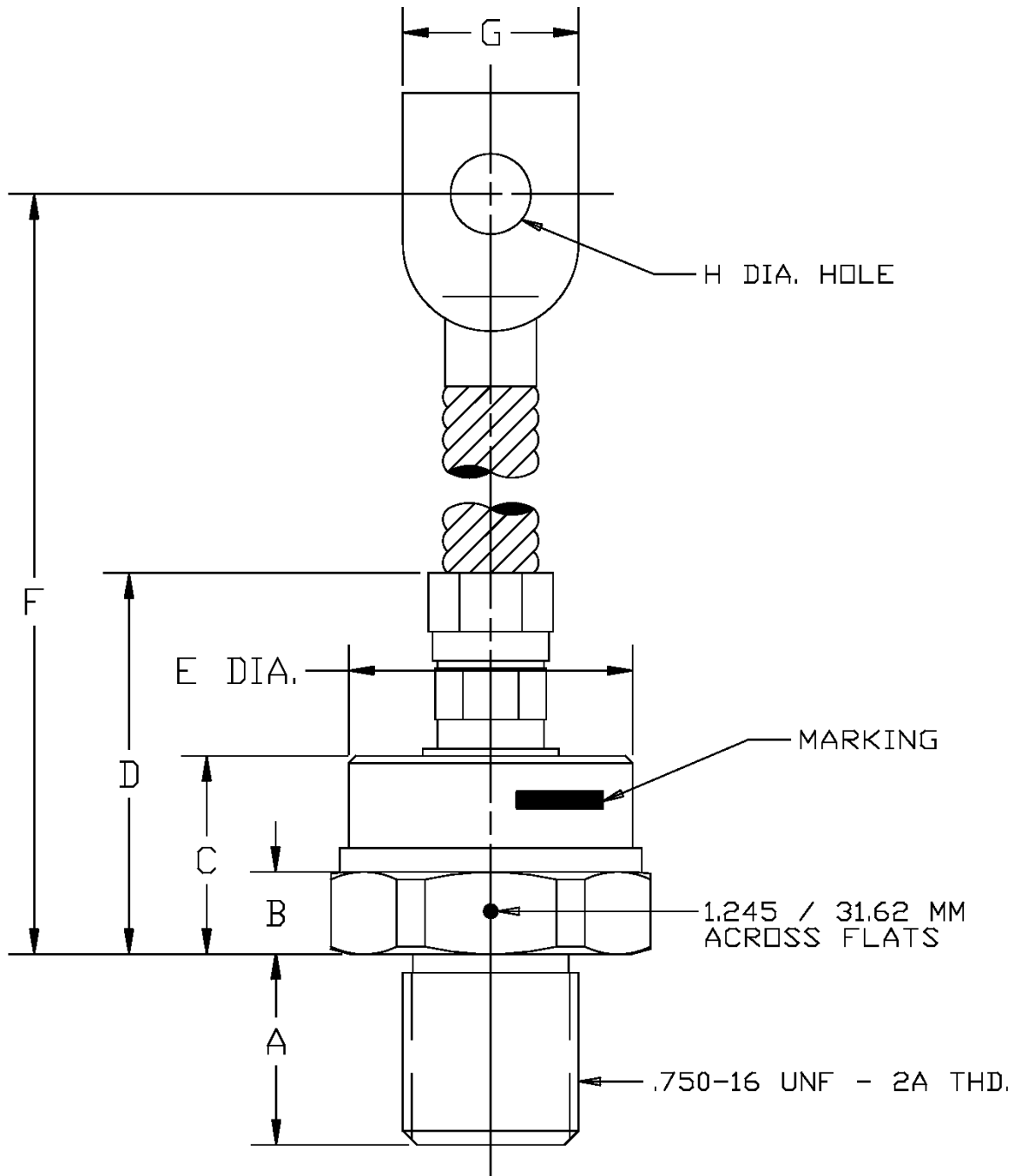


R600/R601 General Purpose Diode

Note:
The R600/R601 package no longer has a metal cap above the ceramic seal as shown in this photograph.

POWEREX[®] Product Change Notification

R610/R611 Outline Drawing (Discontinued) -- Reference Only



CASE NUMBER R6R
NOMINAL DIMENSIONS

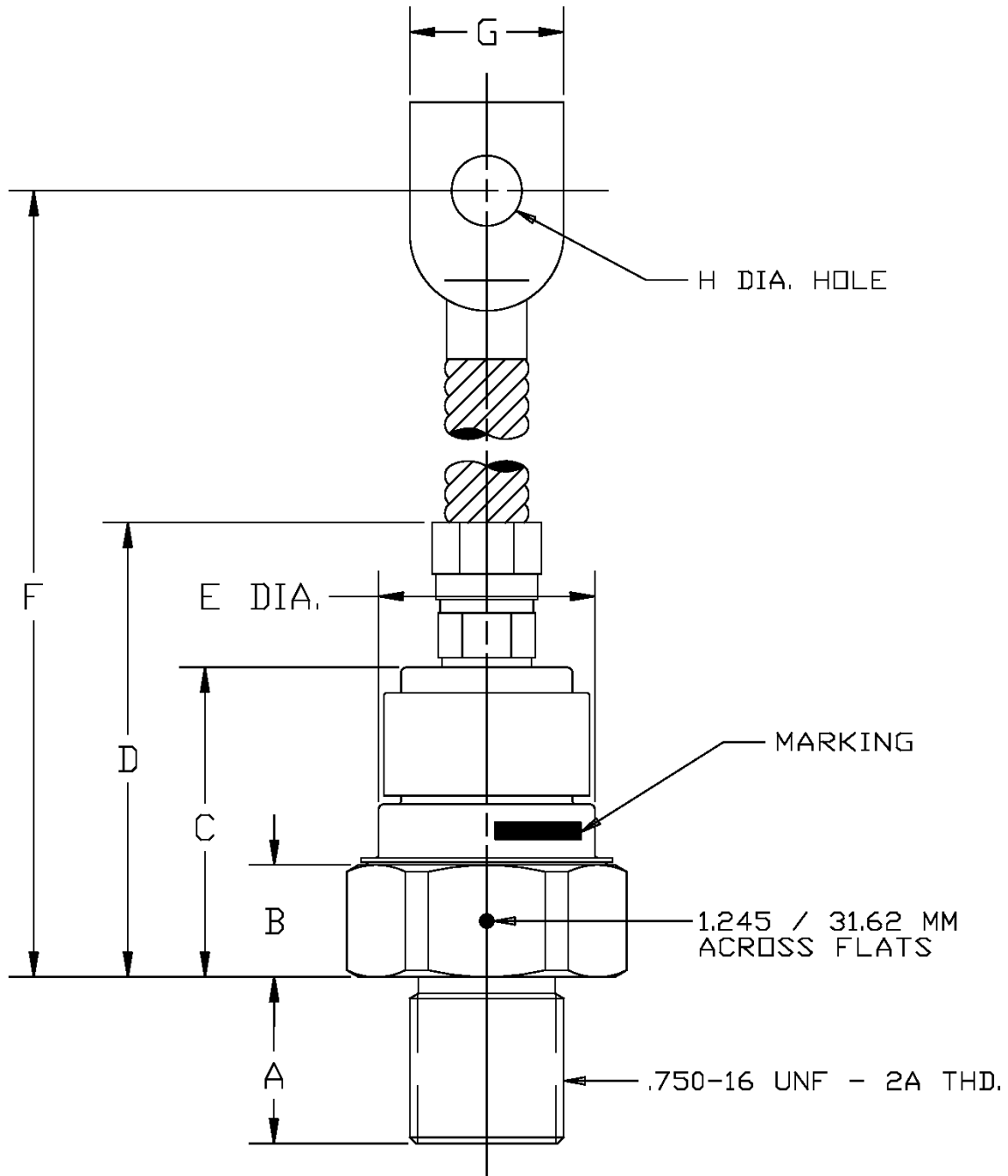
STRIKE DISTANCE = .14 INCH / 3.6 MM MIN.
CREEPAGE DISTANCE = .14 INCH / 3.6 MM MIN.

SYM.	A	B	C	D	E	F	G	H	J	K
INCHES	.81	.48	.93	1.80	1.05	5.48	.73	.343	-----	-----
MM	20.6	12.19	23.62	45.72	26.67	139.2	18.5	8.71	-----	-----

ALL DIMENSIONS ARE REFERENCE

POWEREX[®] Product Change Notification

R600/R601 Outline Drawing



CASE NUMBER R60
NOMINAL DIMENSIONS

STRIKE DISTANCE = .48 INCH / 12.2 MM MIN.
CREEPAGE DISTANCE = .48 INCH / 12.2 MM MIN.

SYM.	A	B	C	D	E	F	G	H	J	K
INCHES	.81	.55	1.50	2.30	1.05	5.44	.73	.343	-----	-----
MM	20.6	14.0	38.1	58.4	26.7	138.2	18.5	8.71	-----	-----

ALL DIMENSIONS ARE REFERENCE